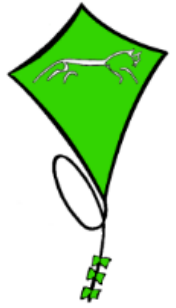


# COWPAT HILL



*Journal of the White Horse Kite Flyers  
Summer 2023 July - September*



**White Horse Kite Flyers, needs the support of its members.**

**Set up day for the Fun Fly is fast approaching, & we want to put on our usual amazing event, but we need members on the Friday 22<sup>nd</sup> September to help the committee set up the kitchen tent, lighting etc and Sunday to help take it down.**

**Anyone that can help, please let a member of the committee know so we can have another amazing Fun Fly.**

[www.whkf.org.uk](http://www.whkf.org.uk)

# Diary Dates

## July 2023

15-16<sup>th</sup> Brighton

29-30<sup>th</sup> Portsmouth

## August 2023

13<sup>th</sup> Barbury Castle club fly-in

4-6<sup>th</sup> Jolly Up 33

## September 2023

10<sup>th</sup> Barbury Castle club fly-in

8-10<sup>th</sup> Lythan St Annes

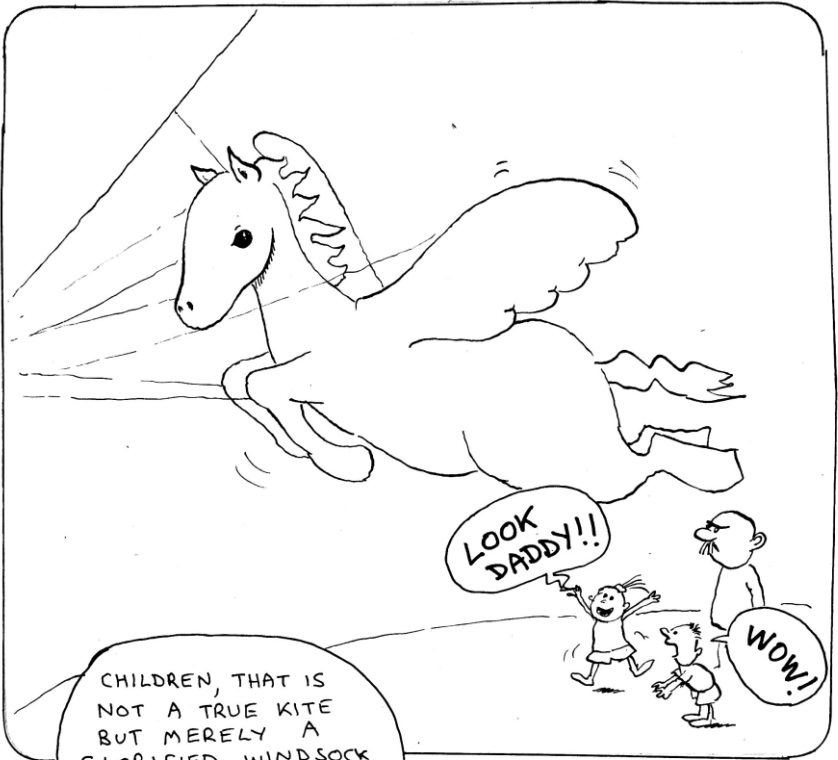
23-24 WHKF Fun Fly

## October 2023

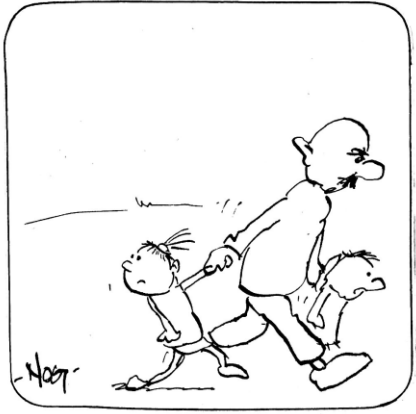
8<sup>th</sup> Barbury Castle club fly-in OSOW

(Next issue of the magazine. Last to be published by current editor.)

Dead line for next issue 24<sup>th</sup> September 2023



CHILDREN, THAT IS NOT A TRUE KITE BUT MERELY A GLORIFIED WINDSOCK AND I FORBID YOU TO TAKE ANY JOY OR PLEASURE FROM IT.



## JOLLY UP 32

Well this was a bit of a saga. Every one looking forward to the first event of 2023. Hotels booked, campervans serviced and large stocks of gin purchased. We understand that the hard working team erected the marquee on Easter Monday and everything was looking good for GO. Even Tee shirts were printed.

Then disaster strikes in the form of weather. In the week after Easter there was a violent storm and the marquee was uprooted and thrown over the fence ending up between some garages. The team arrived on scene and decided that the only way to remove it was to remove the cover by cutting it to pieces and then disassembling the frame. No marquee means nowhere to site and socialise, nowhere for the bar, nowhere for the Hog roast and that means NO Jolly Up.

So the call went out over social media "Jolly Up 32 cancelled". Hotel bookings cancelled or postponed and plans changed,

BUT someone has an excess of gin that he doesn't know what to do with. We need a new plan. There is one toilet already ordered and a few party tents that can be pitched close. There is a large BBQ available so if you bring your own food we have all the makings for a reduced size Jolly Up. HOLD THE FRONT PAGE goes up on Facebook and it's all systems go. Vans arrived and pitched up along the top fence as usual, others travelled daily and we had JU32. It may have been a reduced event but those of us who went enjoyed meeting friends and flying a few kites. It wouldn't be a kite event if we couldn't complaining about the wind and weather but true to form the wind was very variable and there was occasionally some moisture in the air, so nothing odd there.

It only remains for me to thank the organisers, the hard working tea who pitched and recovered what was left of the marquee and those who came up with the alternative event.

I have tried not to mention any names so that I cannot be blamed for missing some one. You know who you are so "MANY THANKS" once again.



## **NORTH HANTS KITER'S JOLLY UP 33 on Aug 5<sup>th</sup> and 6<sup>th</sup> 2023**

Come and join us for another FUN Weekend of Kite Flying for Kite Fliers!

On-site camping is available from Friday midday onwards (£15 per tent/camper for Fri and Sat night, there is a small extra charge for a Sunday night stop-over)

Pie and Mash will be available in the Marquee on the Friday evening, please order and pay at the bar.

There will be Hot food on the Saturday evening (£10.00 and please bring a plate and cutlery where possible to keep our outlay down!) Please let us know in advance if you require a vegetarian option.

As usual we will be doing Jacket Potatoes at lunchtimes over the weekend, and Bacon/Egg rolls will be available on both mornings.

The Auction will be held on the Saturday evening, please bring any donations on the Saturday (*before 4pm please* to give us time to set it all up and Hayley to sit down for a while :-)

There will be a silent Auction on the Sunday.

Roy's Refreshment Tent will be open for Business, normal rules apply...

For further info, please either contact:

Roy on 07778 352825; Chris on 07456 342970; Or e-mail [roy@kitesup.co.uk](mailto:roy@kitesup.co.uk)

Your tee-shirt/polo etc, can be pre-ordered. Please email Hayley if interested in doing so. [hayley@kitesup.co.uk](mailto:hayley@kitesup.co.uk)

## **5P Kite Making..... (from Bob C.)**

No, not what you may be thinking kites for 5 pence. Like many things in life this is a story about being prepared; again you're probably off track and thinking maybe cubs or scouts. Most things in life ie, meals and kites festivals etc need some sort of plan if they are to be a half decent event.

Thinking back to the dark ages of Covid shut-in, I used to take part in Zoom sessions with kite fliers both from our own homeland and several from around the globe, the latter were either late to bed or up before Dawn; she always was a late riser ;-). During the many sessions we spoke drivel but occasionally the topic was kites, their design, printing/designing 3D connectors and plans etc. I flippantly mentioned drivel but thankfully Zoom for many during Covid, whatever the discussion, maintained one's sanity.

One of the plans discussed was the **Astralglide** designed by **Ron Gibian**, who was one of our Zoom contributors. Ron has kindly made the plans available for personal use and offers hints and tips like many kite makers. The Astralglide can be scaled up/down and is a good base for a wide range of patterns/designs, which sparked me into thinking of something to put on the shape. One of the other Zoom-ers was **Scott Hampton** who suggested to me, during one of our chats, that I may think about 'breaking out' of the Astralglide shape, similar to many of his unique kites.

So, after some brain storming and with a theme in mind I set about making several sketches, the final one being transferred to my Astralglide template and parked to one side awaiting the time/urge to start cutting ripstop and start the build.

With the theme of the kite being related to India, a place that has been a regular go-to festival venue for me in January, primarily to migrate to warmer climes and meet many friends that I have made over the years, I obtained the base material (white ripstop) from **Karl Longbottom**

whilst I was at the St Annes festival in September 2022 with the thought being to complete the kite for the January 2023 Indian festivals.

Well October passed by, November also slipped off the calendar and then Christmas was looming without a stitch being sewn; bugger me he said!

This, as highlighted at the start, is where my 5P training throughout life and project managing came home to roost or not as transpired....

The principles of the 5P's, as some may be aware, are 'prior preparation provides proper production' or to put it another way 'poor planning produces a poor product'.

The full-size Astralglide is 2.6m high and 1.35m at its widest point so it's a fairly sizeable kite. The theme and hence colours I wanted to use on the kite were based on those of the Indian flag; orange, white and green. Two weeks before Christmas the design was transferred to the white ripstop; no problem.

Now for the orange, which was supposed to be the colour of the roses but having located it in my pile of ripstop I realised that there was insufficient for the job. Too late to get some delivered due to postal strikes and the proximity of Chrimbo I resorted to some gold ripstop, sort of orange-ish, but double bugger!

The other colour I required was green for the stems. Phew my stock of material, as I'd thought all along, at least contained something useable. Finally, the barbed-wire where the plan was to use silver ripstop, which again I thought I had got plenty but sh...! Oh well, guess I could use the black, of which I have plenty. That said, I soon realise that it was a softer, inflatable type of ripstop, so as you cut the material after sewing there was a slight fraying that required a lighter to be cast over the kite to seal edges. Treble bugger!

Because of the 'break-out' areas from the kite edges I used some medium weight white Dacron as a stiffener at the head of the rose and the bottom stem to aid holding the shape in flight. In addition, I added a small 2mm glass fibre spar to the rear of the stem because this was longer.

The plan called for 6mm carbon main spar and 4mm glass for the cross spars. Another lack of planning here; because I had opted to make the Astralglide full size there was an insufficient length of 6mm so 8mm was used. As it transpired I believe that this was actually ideal even though the Indian winds in January are generally light.

Sparred and bridled it was now ready for its first outing at the Gujarat IKF 2023 in Ahmedabad.

The kite shows a rose with barbed-wire around its stem. My idea, as previously mentioned, are based on the Indian flag, the colours of which make up the rose and the reason for choosing a rose are as follows.

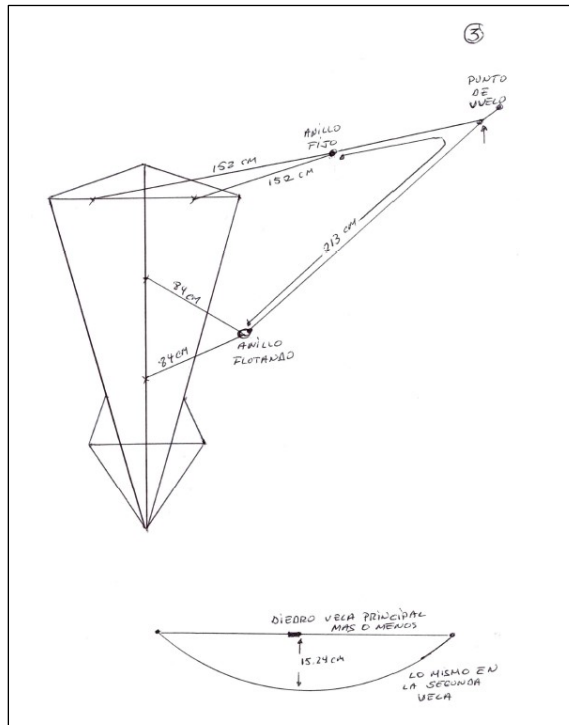
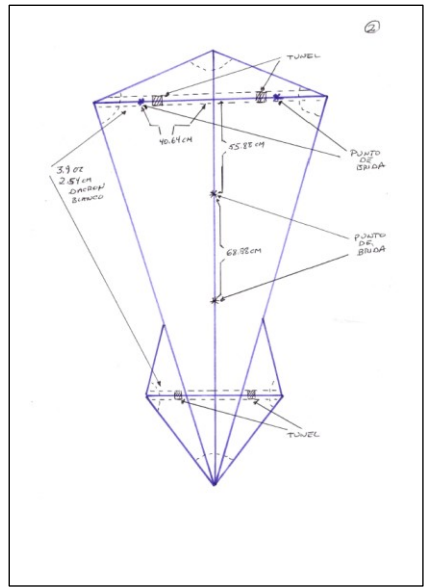
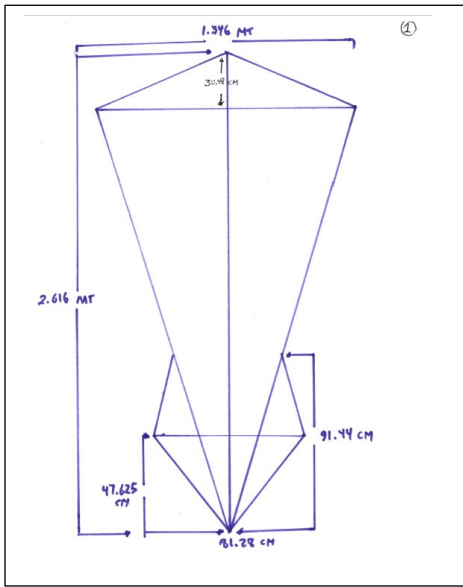
There are several primary religions in India and it still has a culture of arranged marriage. For many young women, given careful selection by the parents, they can end up in a good relationship, which I have observed from my friendship with many friends/families. I also understand that it may be possible for a girl to marry someone of her choice but this may be the exception more than the norm. Ultimately love, particularly in Hinduism and almost 80% of the population, is sacrament. It preaches that one gives up selfishness in love, not expecting anything in return.

As I see it there are many beautiful 'roses' that may be 'untouchable'; possibly being unloved by their husband and only there to maintain the family but wholly accepting it as is their upbringing and culture and their faith in Hinduism.

Following several flights in India and, luckily enough for me, in Thailand and Malaysia I could see that there were a few changes that needed to be made to the kite. The top of the kite although stiffened with Dacron tended to fold back in the wind so additional stand-offs were required. The 4mm glass cross-spars were a bit too flexible in anything but a light wind so making the kite unstable. A quick chat with **Karin Stevens**, who flew several Astralglides at Portsmouth last year, brought about a change to 4mm carbon spars, which proved a lot better and improved the wind window. With the addition of sleeves to retain the spars in place and the above changes I believe that it is done job.









## WHKF Fun Fly Menu 2023.

### **Weekend Breakfast**

The breakfast Bap - filled with bacon, sausage & fried egg, served with your choice of either tomato ketchup or HP brown sauce. £6.00

Vegetarian Bap - filled with sauté mushrooms, onions & a fried egg, served with your choice of either tomato ketchup, or HP brown sauce. £6.00

### **Weekend Lunch**

The Burger - a seasoned bun, filled with a 100% beef burger, cooked until tender & juicy, topped with sauté onions, & cheese, served with the sauce of your choice. £6.00

The sausage roll - a seasoned bun, filled with prime sausages, baked to perfection, topped with sauté onions & cheese, served with the sauce of your choice. £6.00

Vegetarian Bap - filled with sauté mushrooms, onions, served with the sauce of your choice. £6.00

### **Saturday Dinner**

Slow roast Belly pork, oven roasted for 3 hours, with all the crispy crackling, served with sauté potatoes, fresh vegetables & a pan cider gravy. £12.00

Vegetable bake - a selection of seasonal vegetables, sauté with olive oil, baked with a rich & creamy white wine & cheese sauce, served with sauté potatoes & fresh vegetables. £12.00

Dessert – A homemade crumble, stewed fruit in season, topped with buttery crumble mix, baked until golden & served with warm custard.

Please note ALL Saturday evening meals MUST be pre-ordered to save on waste.

**Special offer; All five meals for £30.**

# Art, culture and community take flight at Weifang int'l kite festival

chinadaily.com.cn, April 17, 2023



The 40th Weifang International Kite Festival kicked off Saturday in Weifang in east China's Shandong Province.

Thousands of kites coloured the sky in Weifang during its annual international kite festival on April 15, attracting multitudes of visitors from home and abroad.

Among them were 11 international journalists and social media influencers, who gathered in Weifang city, known as the "World Kite Capital," in Shandong province to set off a cultural excursion.

After admiring art performances at the opening ceremony, the expats were amazed by the spectacle of various kites that decorated the sky and conveyed good wishes and blessings.

Sobraj Al Akand, a popular blogger from Bangladesh, said proudly while pointing at the kites, "these are kites brought by competitors of my country, which has taken part in the stage for many years."

As it is his first time to have been to Weifang and the festival, Sobraj has much to look forward to.

"This is a friendly and quiet city with great infrastructure, and the grand event plays a significant role in making Weifang and even China more well-known around the world," he said. For him, when seeing kites in diverse designs and patterns, it is high time to witness the cultural diversity and community cohesion.

The group toured the World Kite Museum, where they appreciated an exhibition of dozens of kites crafted and designed from all over the world and learned about the historical stories behind the kite-making process.

"I prefer to explore different cultures and experiences, and I didn't expect to see so many kites here," said Federio Furlan, an internet influencer from Italy, while he was lingering on the kite culture during his visit.

Walking down to the Yangjiabu Folk Art Grand View Garden, the group was enchanted by New Year paintings and experienced the process of making delicate artwork.

They also paid a visit to Guo Hongli, the inheritor of national intangible cultural heritage Weifang Kite, and who has been working on handmade kites for more than three decades.

## Broad Haven 2023

When we left Broad Haven after the 2022 event we knew that the tides this year would be wrong so the 2023 event was cancelled. However a few of us who love the area decided to book our accommodation and just come for a holiday. Neither had we expected there to be a Coronation and extra bank holiday the week following the original date. One final item that we had not factored in was the phase of the moon meaning the tides would be very much lower than normal. This meant that even at high tide there would still be half the beach available.

For those of us who travelled on the Thursday the trip down did not bode well as there was a very heavy storm as we negotiated various speed restrictions on the motorway.

However, having arrived the storm had fortunately been going in the opposite direction and had left it dry with plenty of sand above the water line. So once you have settled in to your accommodation and had a cup of tea there is only one thing to do. Go and fly a kite.

There are loads of castles, gardens, coastal walks etc. in the area so Friday was the touristy day. Then Saturday and Sunday we did our best to put on some sort of display but with the wind coming off the land it was hard work. Then came Monday and the wind was now off the sea so great flying wind and we put on a good show with plenty of ground display and various aquatic animals in the air.

There were very few members of the public around but those who were seemed to enjoy our display and a number of the local residents said how much they enjoyed it.

Some club members had decided to attend on the second weekend when the tides would be better. They also had one good day's flying but were not as lucky as those of us who were there the previous weekend. We have not yet got the tide details for 2024 but we are hoping to be there again. As next year is a leap year there is a slight problem with accommodation because 1<sup>st</sup> May is the Wednesday, the holiday is a week later. We are keeping our fingers crossed that we can still book for the bank holiday weekend.



## Insurance via BKFA

In a moment of weakness, I volunteered to organise the 2023 insurance administered by the BKFA. The process is a story for another addition of Cowpat but suffice to say insurance is now in place through to end of April 2024.

Whilst I'm typing it's probably a good opportunity for a quick reminder on the cover we have. It has three elements:

Cover for BKFA. In essence this indemnifies the BKFA organisation as the originator of the code of conduct

Club Cover. WHKF have club cover for any event they organise and for other events recognised by WHKF where club members fly.

CAIF cover. This cover is optional (and charged separately to club membership) and covers individuals when flying "informally" (i.e. not as part of a WHKF recognised event).

One last thing to emphasise is that BKFA are not an insurance broker and I'm merely the administrator pulling together the information required and have no insurance expertise.

Martin Crowther. [WHKF BKFA Liaison Officer]

## White Horse Kite Flyers Code of Practice

*Always* fly safely

*Always* be considerate to others using the same area be it noise or physical intrusion into their space.

*Always* fly legally taking in to account all National, Local and CAA restrictions.

*Never* fly at a height of more than 60m above ground level, in the UK unless a CAA clearance is in force. (as at festivals) IF YOU DON'T KNOW.....ASK.

*Never* fly a kite in wet or stormy weather. Always try and keep you line dry.

*Never* fly near power lines, transmission towers or aerals.

*Never* fly near airfields.

*Never* fly a kite with anything metallic in the line.

*Always* when tethering a kite ensure that the ground anchor is suitable (see BKFA report 6 June 06).

*Always* use a brake line when flying large kites.

*Always* wear good quality gloves when flying large powerful kites.

*Always* give priority to domestic animals particularly if they are showing signs of distress.

*Always* clear up after yourself, especially lines, tails and bits of plastic that could trap, choke or injure domestic animals.

*Never* fly near kite-eating trees.

*Note the use of traction kiting at Barbury Castle is forbidden by law.*

*Finally remember.....your kites can get really quite lonely up high in the sky; just occasionally, look up and give them a SMILE. It will make you feel better too.*

WHKF. meet at Barbury Castle country Park on the second Sunday of each month.

This issue edited by Arthur Dibble,

Subscriptions for new members for 12 months from December 1<sup>st</sup> 2022 £16 (including 4 issues of Cowpat Hill and kiteflying insurance at events). £5 for each additional family member. Renewals will be reviewed annually. Personal Liability Insurance £13 per person.

COWPAT HILL is the journal of The White Horse Kite Flyers and whilst every care is taken when compiling it, The Club and its officers cannot accept responsibility for any omissions or errors that may occur. Any information printed are the views of the individual submitting them and not necessarily those of The White Horse Kite Flyers Club, its committee or members. Data provided by you will be stored on a Club data base for the purpose of circulating this magazine and other Club information.