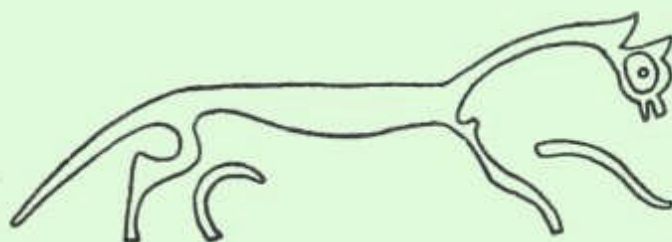


COWPAT HILL



The Quarterly Kite
Journal of the....
White Horse Kite Flyers.

Published during the
Spring, Summer,
Autumn and Winter.

COWPAT HILL has been written, edited, produced, and
printed entirely by WHKF members.

SUNBURST

Custom Colour Schemes Available

CONTACT
DAVE TOMLINSON
225 LOWER WAY
THATCHAM
BERKSHIRE
RG13 4TP
TEL 0835 72186

KREATIVE KITES

SPRING QUARTER 1992

April - June

Volume 3, Issue 2

C O W P A T H I L L

The kite journal of the
White Horse Kite Flyers

Kite n. light papered frame flown in
wind.

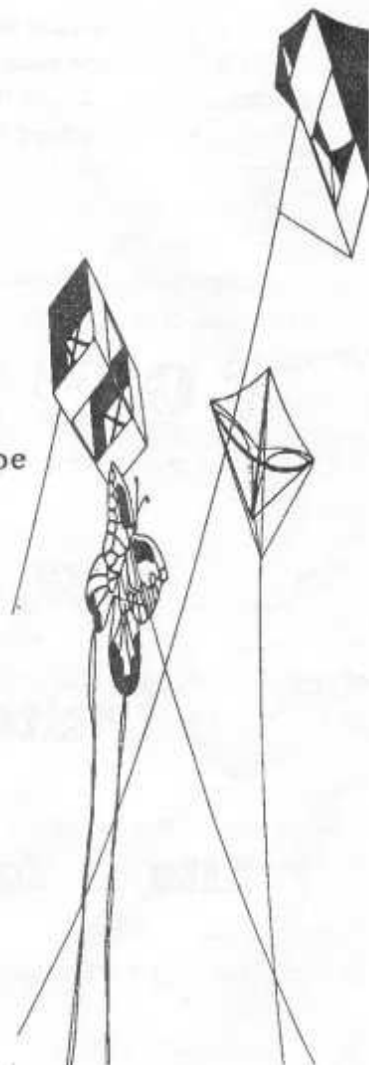
Discounts on kite sales from:
Dave Tomlinson of KREATIVE KITES
(inside cover),
offering WHKF members 5% discount.

Richard Marsh of TRADEWINDS KITES
(back cover),
will allow WHKF members 10% discount with 6%
on all credit card transactions.

COWPAT HILL - The WHKF journal

Dates for your Diary

April 5th	Club meeting at Barbury
April 12th	Old Warden, Biggleswade
April 18th-20th	Balckheath Easter Festival
April 20th	British Gas Kitefly, Theale *
May 3rd-4th	Weymouth *
May 9th-10th	Swindon*
May 16th	Pewsey *
May 16th	Grange Infants School, Swindon *
May 17th	Falkland School, Newbury *
May 23rd-25th	Kite Society Convention, Scunthorpe
June 6th	Overton School Fete *
June 6th-7th	Lydiard Nostalgia Weekend *
June 13th	Walton Junior School, Newbury *
June 21st	Greenham Common *
July 1st (evening)	Castrol Total Quality, Burmah *
July 4th	Commonweal School, Swindon *
July 4th-5th	Shrewsbury
July 11th	Walton Hall Village Fete *
July 18th-19th	Monmouth
August 2nd	Middle Wallop
August 16th	Hengistbury Head
August 29th-30th	Portsmouth *
August 31st	Thatcham Show *
Sept 5th-6th	Bristol
Sept 19th-20th	Dieppe



* Shows or Festivals at which we have been asked to put on displays. As our fame spreads others will be added to the diary. Offers of help will be welcome.

Working on the basis that you will need wind to fly kites....
All the above events must be subject to local weather/flying conditions.

Editorial

FESTIVAL!!!!!!!!!!!!!!

By the time you read this our festival will be nearly with us. For those members you have just returned from the foreign parts, it's on MAY 9th and 10th at Lydiard Park in Swindon. This years charity is the N.S.P.C.C. Look out for the N.S.P.C.C. Rokkaku. In an attempt to publish the festival we are organising a painting/drawing competition. We have

contacted most of the local schools so if they haven't mentioned it yet then ask them why. Entries, on A4 paper, can be sent to me or my wife. Please put your name, age and address on the back. Help is deperately needed with the festival, especially the workshop and the teddy drop, we can't let our president spend 2 days in a tent this year. If you can spare some time it would be greatly appreciated, after all it is the WHKF festival. The more helpers we can get the better. Martin Lester and Vacuum kites will be coming to the festival again this year. We also have Don Mock coming from America. Thanks to Jane Jones for making the N.S.P.C.C. Rokkaku.

Dave Jones
Editor Cowpat Hill
15 Bucklebury Close
Stratton St Margaret
SWINDON
SN3 4JH

Our fame continues to spread. A few weeks ago I received a package from America. It was the magazine of the S.F. Cody Kite Society, they wish to exchange magazines on a regular basis. Well Rick I hope you like this issue (I've got a photo of you for the next one). A warm hello also to our friends in the Westport Windriders.

I hear the windsock is coming along, how can you sit and sew so much ripstop Neil? Thanks to the caretaker at Headlands School for letting us use the school hall for cutting out and thanks Neil for getting me involved in the scheme, I can think of better ways of spending a Saturday.

Please can we have articles, cartoons or photographs for the next magazine, the magazine is only as good as the articles you write.

Special announcement!! the April club meeting will be on April 5th to avoid a clash with the festival at Old Warden.

Coming soon!!!! WHKF pin badges, see Dave Robinson for details.

British Gas Kitefly

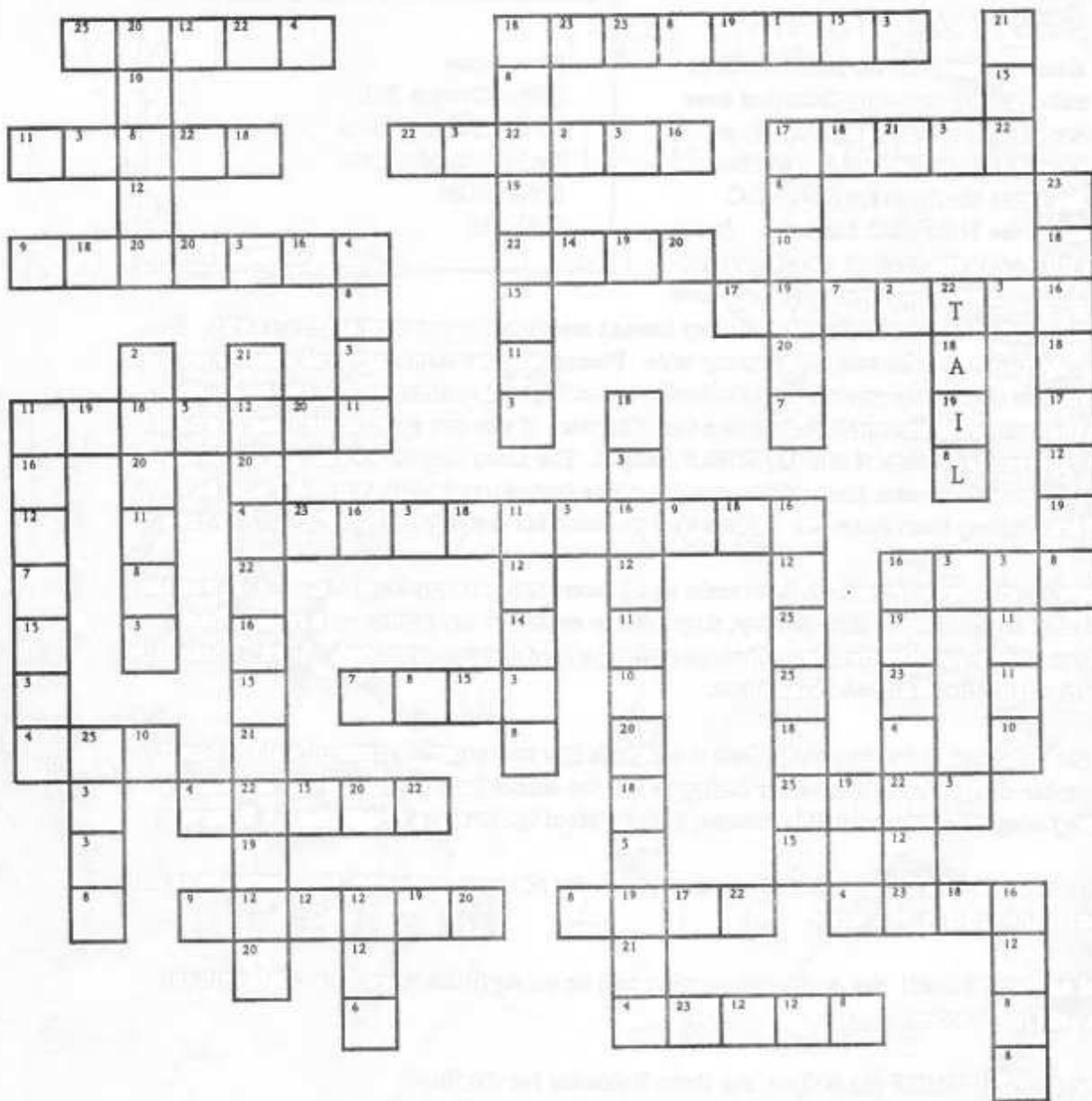
As part of the British Gas Kitefly on Easter Monday, April 20th, WHKF will be involved in an event at Theale Green Recreation Centre, Theale nr Reading.

A great day is planned, there will be Teddy dropping, Demos and lots of other exciting events. All proceeds to the Spinal Injuries Research Trust. So book the date into your diary and get along to the Recreation Centre in the High Street at Theale. Offers of help welcome.

For more details contact Dave Tomlinson.

PUZZLE PAGE

By Jane Jones



This puzzle has no conventional clues. Every number on the grid represents a different letter (always the same letter). To help you get started one word has been filled in. Use the grid below to help. Every word has kiting connections.

1	2	3	4	5	6	7	8	9	10	11	12	13
							L					
14	15	16	17	18	19	20	21	22	23	24	25	26
				A	I			T				

Parachuting Teddies

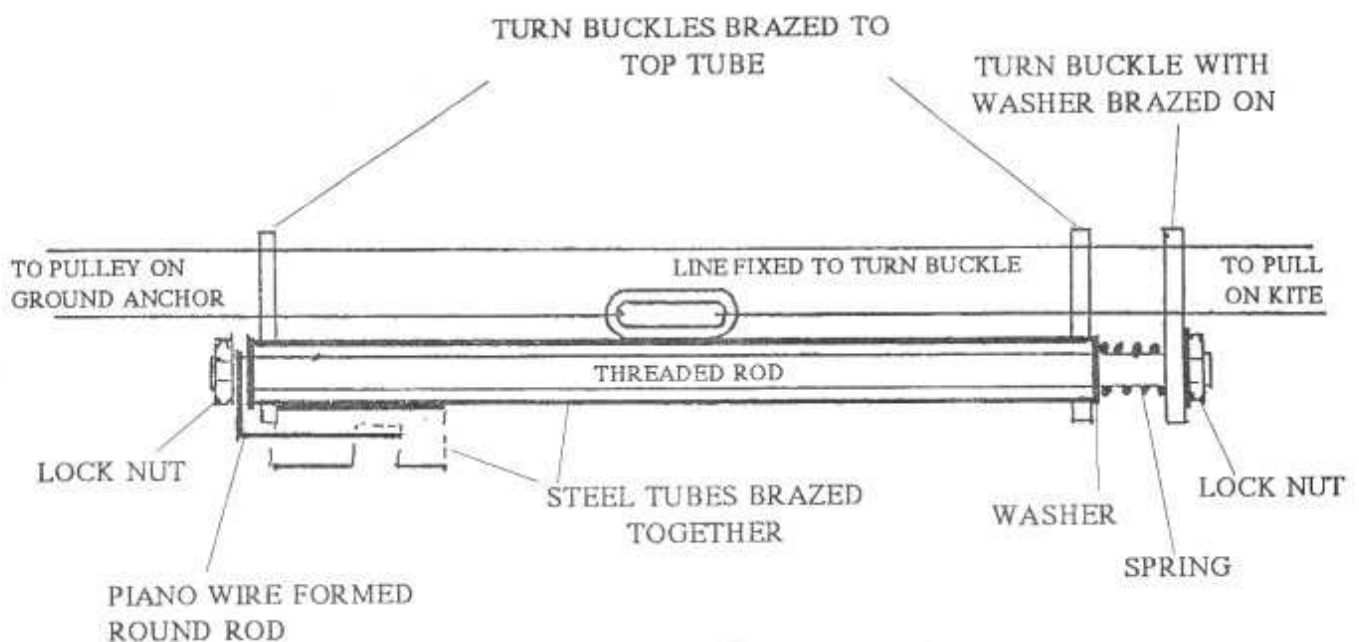
Arthur Dibble

Of all the stupid, moronic games I have ever seen this is the worst. Beware, if you start this blood sport it will take over like any other kiting activity. I got bitten almost two years ago and look at me now; that's if you can see me under the heaps of unproofed ripstop (why the awful pink Dave?) and failed designs for ferries. I even read Roman Candle first when I get Kite Flyer. Long live B.M.I.S.S. and B.P.F.



After much experiment I decided to go for the "closed loop system". This consists of a loop of about 400ft of 350lb line passing around a pulley fixed to a ground anchor up and round another pulley being lifted by the kite. The two ends are brought back to the carrier where they are fixed using a turn buckle or other suitable link. Details of the carrier are can be seen below. Mine is made of steel and brazed together but plastic tubes and epoxy could be used for a light weight version.

The top pulley should be fixed as far below the kite as the height clearance will allow. Under normal circumstances I use about 50ft. and have successfully lifted this rig and teddies under a 12ft Megadelta. As the rig was designed for heavy weather I have built a 9ft high "TRI-D" box and in a good wind a pay load of 6lb is not difficult. All hardware was bought from B&Q so no problems there. As an improvement I am looking for some pulleys with better bearings as the current ones tend to get very stiff in heavy winds.



Sky Chat

It's been sometime since I've put pen to paper and during that time there has been a lot of activity within the club. The festival plans are well in hand, hopefully with very few or no hiccups.

The club is also sorting out a deal on sponsorship from the Newbury Building Society (no cheap mortgages) in return for putting on displays at Fetes etc around the Newbury area. We are also filling up our diary with displays and workshops all around the area. I do hope that any member who wishes to lend a hand at any of the events will come forward and let someone on the committee know of their interest. It is always great fun.

The Weymouth festival should see us making a BIG impression on the kiting world, hopefully our giant windsock will be flying (sewing is going well). We will check with the Guinness Book of Records to see if it is a record breaker, we think that it is.

Many thanks to our new editor, Dave Jones, for producing our mag. Keep up the good work Dave. Anyone with ideas please do not be backward at coming forward to the committee. Mind that's no guarantee that we will listen, but you never know.

Keep your lines tight.

Neil

Kite and Material Stores to Try

THE KITE STORE

48 Neal Street, LONDON WC2

KITE and BALLOON Co

613 Garratt Lane, LONDON SW 18

MALVERN KITES

The Warehouse, St Annes Road, Gt. Malvern

KITEABILITY

2 Garfield Road, Enfield, Middlesex EN3 4RP

DUNFORD KITES

Cochrans of Oxford Ltd., Leafield, OXON

Any or all of the above should be able to supply materials etc. that you may require to build your kites, why not send for a catalogue and see.

Remember, send a stamped addressed envelope.

Help, Help, Help!!!!

Display at Overton School

On 6th June WHKF are putting on a display at Overton School near Basingstoke for their summer fete. Whilst many of the club will be at Lydiard for the Nostalgia weekend a few members, particularly those that live in that area, will be doing a display for Overton.

There is plenty of open space on the school playing fields and we have previously had good flying there. If anyone else would like to fly at this event we would be very pleased to see them. The fete runs from 12 noon until 4.00pm and we have said we will arrive at 11.30am to set up. If it is wet or becalmed we hope to do a workshop in the school hall or perhaps other outdoor displays.

If you would like to come along and would like more details please contact Arthur Dibble or Dave Tomlinson.

Festival at Greenham Common, Newbury

It has now been confirmed that we can have the air base for a festival on June 21st. This is to be run in conjunction with Thatcham Rotary Club as a fund raising event for handicapped children.

The flying site is superb and a big event is being organised. If this year goes well a two day event is planned for 1993.

We have one problem, four of our most illustrious members are once again globe trotting on this date so we are going to be desperate for help. We will have to set up the arenas etc. on the Saturday and then clear up on Sunday evening, plus all the organisation of the kiting activities on the Sunday.

PLEASE PLEASE PLEASE

keep these dates free and let us know if you can help.

Neil Harvey
Arthur Dibble
Dave Tomlinson.

NB. It's Fathers Day so how about a kite kids?

A Warden's Tale

Mrs. S

It hardly seems a year since we arrived on the scene at Barbury Castle to take up our duties as wardens. We arrived with 5 Artic loads of livestock, removal van and 7 loads of assorted gates, feeders etc., after just 3 days notice. At 11pm that evening (after the central heating had decided to erupt and soak us twice) with the children safely tucked up in bed, we sat down for our first meal of the day. There was a tap on the window, the police had arrived, could we please lock up the car park as hippies were en-route to us. We fell out of the door with a shoebox full of keys to find the car park rather full!!!!!! We searched through the box for a key to fit the gate lock, an hour later we gave up. Thankfully the hippies didn't come.

We came back to cold Chilli and another burst in the central heating. What have we done?

After a shaky start I can only say our first year has flown by. Being wardens has been quite a change from being sheep contractors, but it has been enjoyable nevertheless.

The range of incidents and problems that we have to deal with is varied from ensuing that events have what they need to succeed to observing that the bye-laws are not infringed.

Barbury Castle has been owned by Wilts C.C. since 1971 and it has seen some changes since then, but not as many as now with most of the internal fences being removed. The Castle will be set in 96 acres with a separate 54 acres on the roadside. In addition the car park has had 2 major extensions since Jan '91 and at least one more is planned. We are the first on-site wardens and have day to day responsibility for both the car park and toilet area and the 150 acres of land which is available for access 24 hours a day. Hopefully this means that the park is becoming a little more user friendly.

Our job is not only to clean the car park, toilet area and the complete acreage but also to ensure smooth running of all aspects, be it a mountain bike event, horse event or dog walk. Barbury Castle is here for everyone to use and enjoy and with some work it will be here for generations to come. Last summer on some weeks we had upwards of 2500 school children visiting and a huge variety of events either passing through, starting or finishing here. This year with the toilets open all day this number seems set to increase.

We have dealt with problems such as abandoned kestrels (it took me 6 hours on the phone to find a person to deal with her!!), lost dogs stolen cars, car races around the car park, runaway horses and a variety of first aid incidents.

The hippies caused the most problems, due to the fact that the car park was closed for about 3 weeks. I understand that some years ago a group of hippies got in and stayed for some time. There was extensive damage and the cleaning up operation that followed took some time.

Kite club days are fun and very much in the spirit of Barbury Castle, the only difficulty we have is explaining your non-appearance when you pop off to festivals. Many people come just to see the kites. We were only too pleased to be able to get the gate provided to gain access onto the flying area. This is part our our job, so please remember if there are any problems of any sort we are here to help if we can.

At the end of the year memories of hippies, discoveries of skulls, corn circles and all the many varied episodes we look back at the new friends that we have made and look forward to the future here at Barbury Castle.

Thanks for looking after us so well during the last year, we are looking forward to many more happy years together and many more hot pasties too. I forgive you for locking me in -
Ed.

Answers to Arthur's Crossword

How did you get on? It was too hard for me, but then most crosswords are too difficult for me. I hope you like this months offering from 'er indoors (got to say nice things or else).

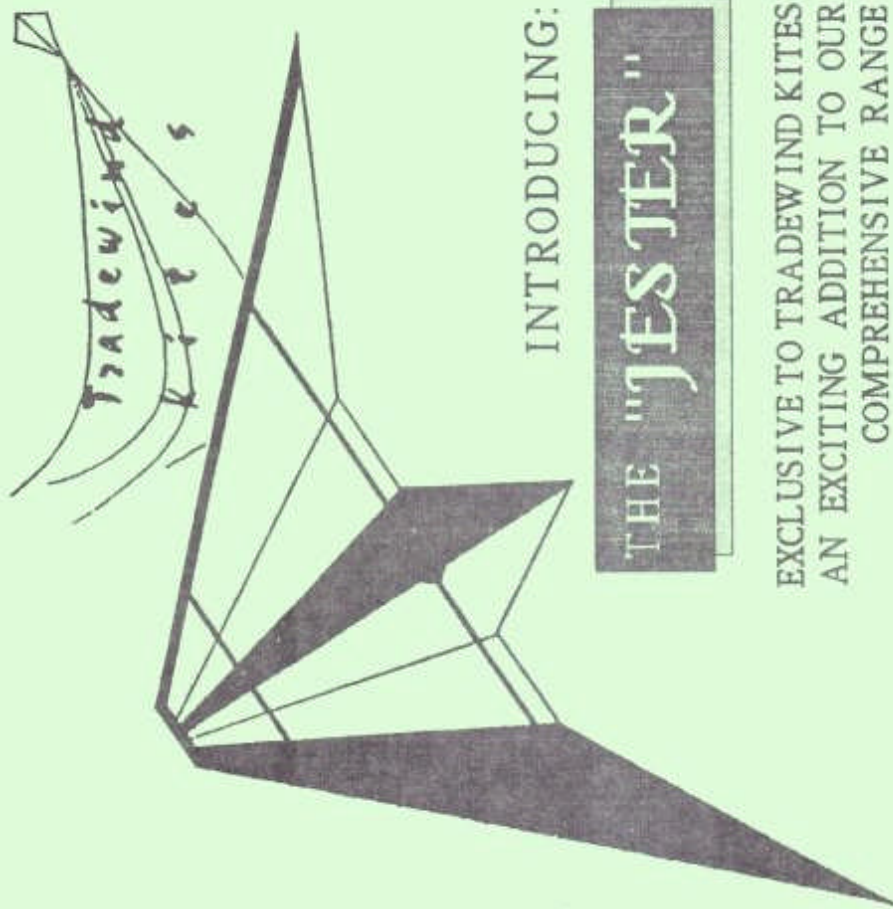
Answers:

1. Barbury Castle
2. Ask
3. Rifle
4. Crystal
5. Sort
6. See 19
7. Trainer
8. Unison
9. Megadelta
10. Ermine
11. One
12. Fun War
13. Many colours
14. Capstan
15. Inn
16. Speedwing
17. Ether
18. Shot
- 19&6. White Horse Kite Flyers
20. Edo
21. Martin Croxton



**Name the member
trying to work out the
clues.**

❖ HIGHFLYERS ❖ PETER POWELL ❖ FOSKETT KITES ❖ TOP OF THE LINE ❖ ACTION KITES ❖ GREENS ❖ RARE AIR ❖



INTRODUCING:

THE "JESTER"

EXCLUSIVE TO TRADEWIND KITES
AN EXCITING ADDITION TO OUR
COMPREHENSIVE RANGE

6 HARRIS ARCADE READING RG1 1DN
Tel: 0734 568848

THE "JESTER"

Jester Features:

- * All Carbon Fibre Frame
- * 80 Wingspan
- * Dual Standoffs
- * High Quality Ripstop Sail
- * Wind Range 5-20 m.p.h
- * Crisp, Precise Turns
- * Exceptional Balance for Groundwork and Stalls
- * Custom Colour Options

Mail Order Available—Phone for Details

❖ SKYNASAUUR ❖ REVOLUTION ❖ MORGAN ❖ BANSHEE ❖ FLEXIFOIL ❖ SPEEDWING ❖ DUNFORD ❖ SHANTI ❖

COWPAT HILL - The WHKF Journal Kite Flying Safety Tips

- The NEVER'S of Kite Flying
 - Fly a kite in wet or stormy weather, try to keep your kite line dry.
 - Fly a kite near power lines, transmission towers or serials.
 - Fly a kite with wire or anything metallic in the line.
 - Fly a strong pulling kite without wearing GLOVES.
 - Leave odd bits of flying line etc on the flying site.
 - Fly a kite at over 200 feet*.
 - *Kite festivals may have C.A.A. clearance to fly higher....ASK!
- The Things to AVOID
 - Motorways, roads, car parks railway lines or buildings.
 - Airfields and low flying air traffic patterns.
 - Members of the public....stunt flyers please take care!
 - Those kite eating trees.
 - Animals, they can be frightened by kites.
 - *Remember...your kite can get really quite lonely up high in the sky, just occasionally, look up and give them a little SMILE.*
 -AND PLEASE, MIND THOSE POWER LINES!

Where the WHKF go to fly their kites

WHITE HORSE KITE FLYERS fly at Barbury Castle Country Park, Wroughton, Swindon, Wilts on the SECOND Sunday of each and every month!

Will YOU be there?

Local WHKF contacts for the Wilts area are:

Ron Gunter on: (0793) 770784

Neil Harvey on: (0285) 740295

and

Dave Robinson on: (0793) 824 208

The COWPAT HILL Journal

Journal of the White Horse Kite Flyers

Editor: Dave Jones

Club Subscription: £3.00 (One year UK)
(including postage and kite flying insurance)

Whilst every care is taken when compiling this journal the WHKF cannot accept responsibility for any errors or omissions which may occur.